

CBD15J/18J/20J-Li3

Lithium Battery Powered Pallet Truck

Characteristics:

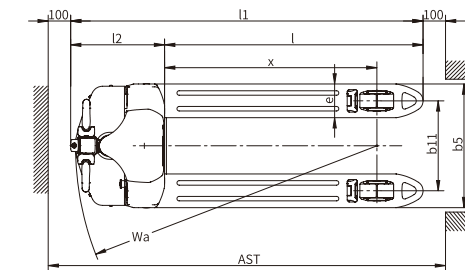
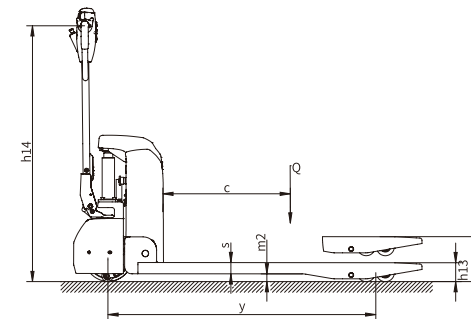
- The whole vehicle is simple, dexterous, reliable and easy to operate. It has a compact structure, small turning radius and it's suitable for operation in a narrow space.
- The vehicle is compact and reliable, equipped with a full protective metal housing.
- Portable lithium electric bag, easy to open the cover and replace the battery.
- Standard equipped with emergency stop switch and emergency reverse device to ensure safe use.
- With power off brake function, when release handle or press bottom, the vehicle immediately power off brake.
- The dual protection of electromagnetic braking and motor braking is used to ensure the safety of driving.



CBD15J/18J/20J-Li3

Manufacturer's Data and Design Characteristics

Characteristics		HELI						
1.01	Manufacturer	HELI						
1.02	Model	CBD15J-Li3		CBD18J-Li3		CBD20J-Li3		
1.03	Power unit	Electric		Electric		Electric		
1.04	Operation	Pedestrian		Pedestrian		Pedestrian		
1.05	Rated traction weight	Q (t)	1.5	1.8	2.0			
1.06	Load centre	c (mm)	600	600	600			
1.07	Axle centre to fork face	x (mm)	944	944	944			
1.08	Wheel base	y (mm)	1190	1190	1190			
Weights								
2.01	Service weight with battery	kg	138	148	150			
Wheels/Tyres								
3.01	Wheels type		Polyurethane	Polyurethane	Polyurethane			
3.02	Driving wheel size	Φ×w(mm)	Φ210×70	Φ210×70	Φ210×70			
3.03	Bearing wheel size	Φ×w(mm)	Φ80×60	Φ80×60	Φ80×60			
3.04	Wheels, number front/rear (x = driven)		1x/4	1x/4	1x/4			
3.05	Track width	b11 (mm)	400/535	400/535	400/535			
Dimensions								
4.01	Lift	h3 (mm)	200	200	200			
4.02	Overall height(With handle)	h14 (mm)	725/1145	725/1145	725/1145			
4.03	Lowered height	h13 (mm)	85	85	85			
4.04	Overall length	l1 (mm)	1550	1550	1550			
4.05	Length to fork face	l2 (mm)	400	400	400			
4.06	Overall width	b1/ b2 (mm)	550/685	550/685	550/685			
4.07	Fork dimensions	s/e/l (mm)	50/150/1150	50/150/1150	50/150/1150			
4.08	Width of forks	b5 (mm)	550/685	550/685	550/685			
4.09	Min.Ground clearance	m2 (mm)	35	35	35			
4.10	Aisle width with pallet 1000 x 1200 across forks	Ast (mm)	1750	1750	1750			
4.11	Aisle width with pallet 800 x 1200 along forks	Ast (mm)	1800	1800	1800			
4.12	Min.Turning radius	Wa (mm)	1345	1345	1345			
Performance								
5.01	Travel speed,laden/unladen	(km/h)	4.2/4.5	4.2/4.5	4.2/4.5			
5.02	Maximum climbing ability, with/without load	(%)	5/10	5/10	5/10			
5.03	Service brake		Electromagnetic brake	Electromagnetic brake	Electromagnetic brake			
Drive								
6.01	Drive motor, 60 minute rating	(kW)	0.75	0.75	0.75			
6.02	Lift motor rating at S3 15%	(kW)	0.8	0.8	0.8			
6.03	Battery according to DIN 43531/35/36 A,B,C,no		no	no	no			
6.04	Battery voltage/rated capacity	(V/Ah)	24/20	24/30	24/40	48/15	48/20	
6.05	Battery weight (± 5%)	(kg)	5.5	7	8.2	7	8.2	
Others								
7.01	Type of drive control		DC	DC	DC			
7.02	Noise level at operator's ear	(dB(A))	≤70	≤70	≤70			
7.03	Steering type		Mechanical steering	Mechanical steering	Mechanical steering			
7.04	Controller brand		Curtis	Curtis	Curtis			



Design&Print:Fokeli Printing 20221118



ANHUI HELI CO., LTD.

Add / No.668, FangXing Road, Hefei, China
 Fax / +86-551-63639966
 Tel / +86-551-63639068(America); 63639258(Europe);
 63639358(Asia); 63662105(Africa & Middle East)



LinkedIn YouTube Facebook